

A
B
C
D
E
F
G
H
I
J
K
L
M
N

A
B
C
D
E
F
G
H
I
J
K
L
M
N



TV456
1856 Gathered Dress

C
Back Lining

Cut 1 on fold
of lining

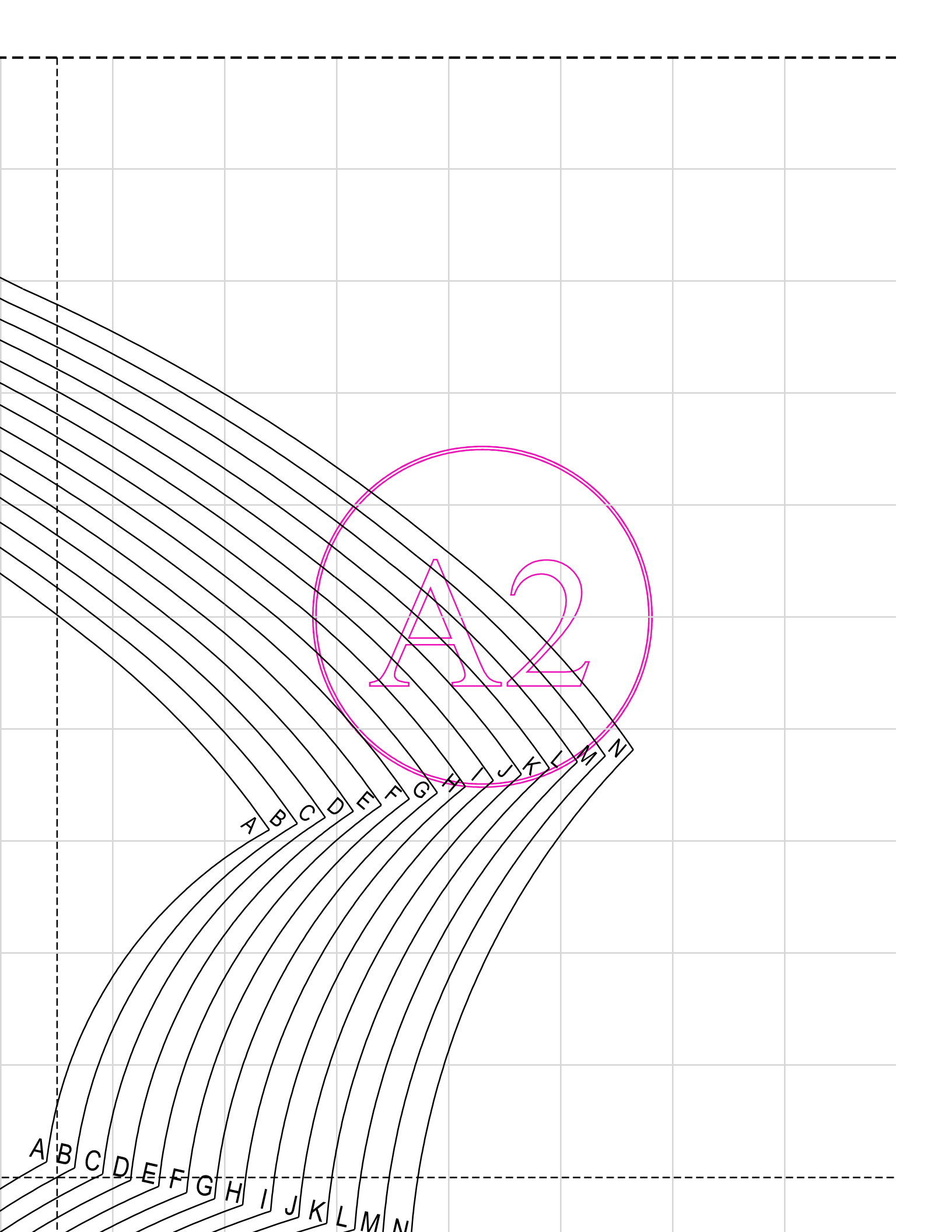
Copyright © 2005, 2013 by Truly Victorian



NO

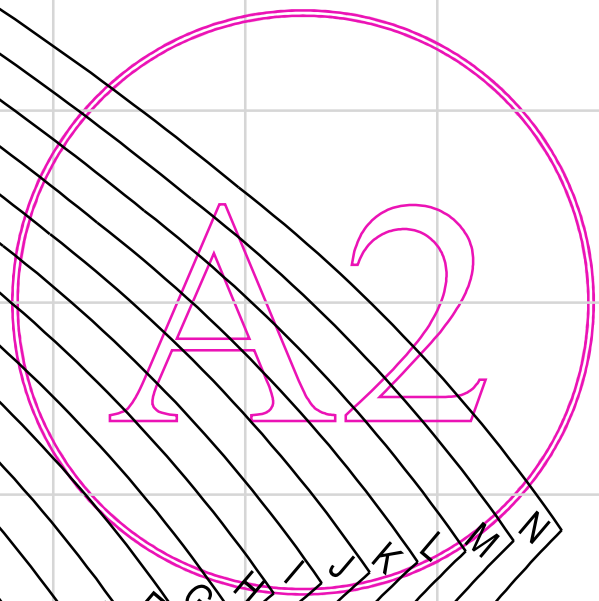
GRAIN

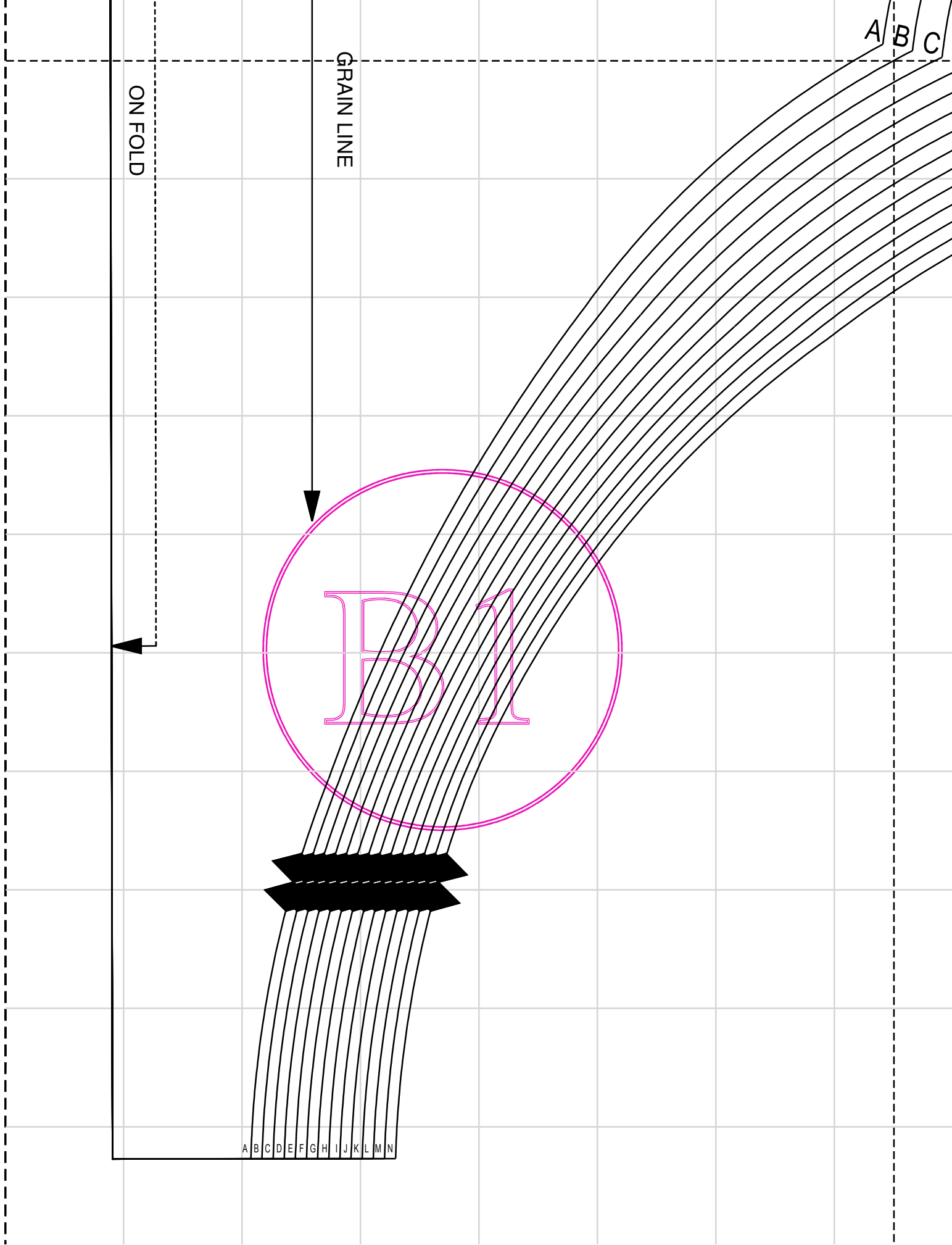
A
B
C



A B C D E F G H I J K L M N

A B C D E F G H I J K L M N





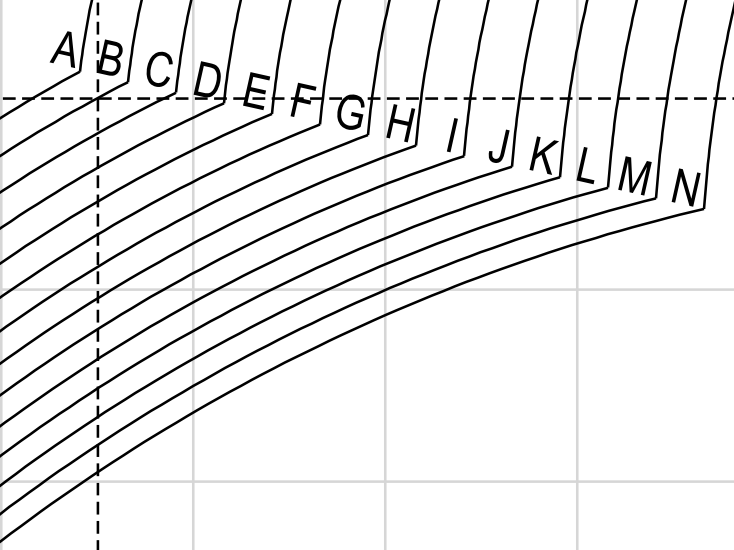
ON FOLD

GRAIN LINE

BI

A B C D E F G H I J K L M N

A B C



B2